

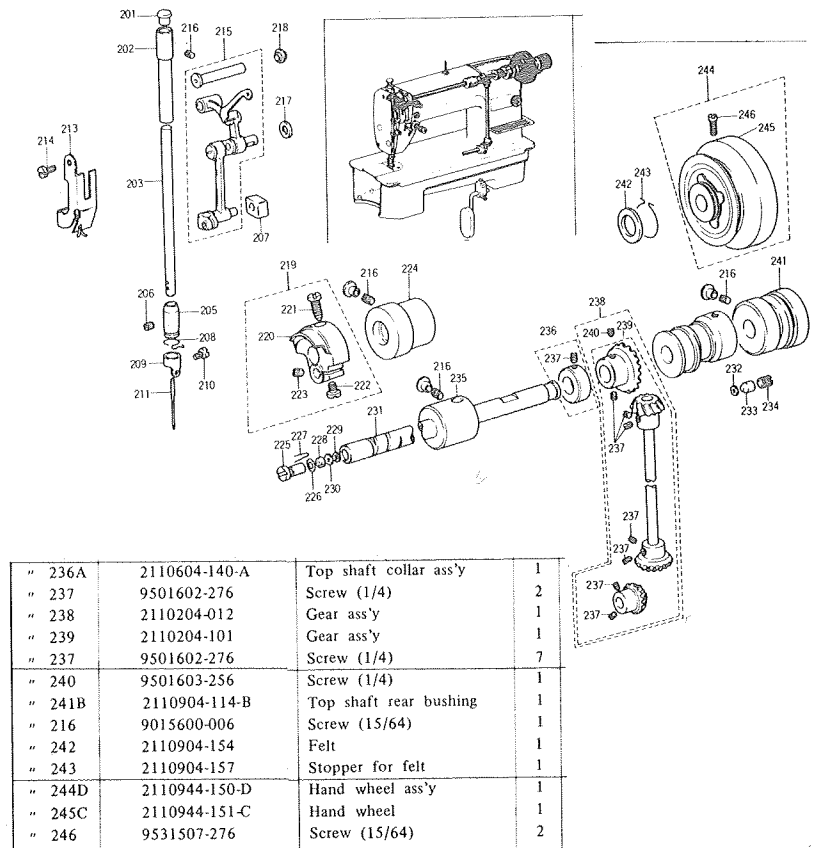
### Machine Body Component Parts

" 106	2110912-318	Thread guide plate	1
" 107	2110212-311	Thread guide pin	1
" 108	2110602-319	Nut	1
" 109B	2110901-210-B	Top cover ass'y	1
" 110A	2110901-211-A	Top cover	1
" 111A	2110901-305-A	Oil gauge window	1
" 112	2110901-215	Packing for top cover	1
" 113	9540907-247	Screw (9/64)	4
" 114	2111101-231	Face plate	1
" 115	2111101-232	Packing for face	1
" 113	9540907-247	Screw (9/64)	3
" 199	2121602-315-A	Thread guide	1
" 117	9540901-101	Screw (9/64)	1
" 118C	2110213-120-C	Slide plate ass'y	1
" 119A	2110213-121-A	Slide plate	1
" 120	1110301-522	Slide plate spring	1
" 121A	9013400-021-A	Screw (3/32)	2
" 122F	2110303-112-F	Needle plate (3 x 1.6 φ)	1
" 124	9013600-003	Screw (11/64)	2
" 125C	2110602-313-C	Thread guide right	1
" 117	9540901-101	Screw (9/64)	1
" 126B	2110902-356-B	Thread tension release pin (L)	1
" 127	9501508-276	Screw (15/64)	1
" 128A	2110902-350-A	Thread tension unit	1
" 130C	2110202-356-C	Thread tension release pin	1
" 131B	2110202-354-B	Thread take-up spring	1
" 132	2110202-358	Screw (9/64)	1
" 133	2110202-361	Packing for thread tension	1
" 134	2210101-151	Bed leg (A)	1
" 135	9026900-030	Screw (M8 P = 1.25)	1
" 136	9420201-119	Nut	1
" 137	2210101-152-A	Bed leg (B)	1
" 138	2210101-153-A	Bed leg (C)	1
" 139	0252037-114	Plug for bed hole	1
" 198	2110343-112-A	Needle plate (4 x 1.4 φ)	1

REF. NO.	PARTS NO.	PARTS NAME	QTY
AC 101A	2120201-234-A	Rubber plug	2
" 102A	2110201-254-A	Rubber plug	7
" 103A	2111101-241-A	Thread take-up cover	1
" 104	9541104-259	Screw (11/64)	1
" 105	2110902-301	Supplementary tension ass'y	1

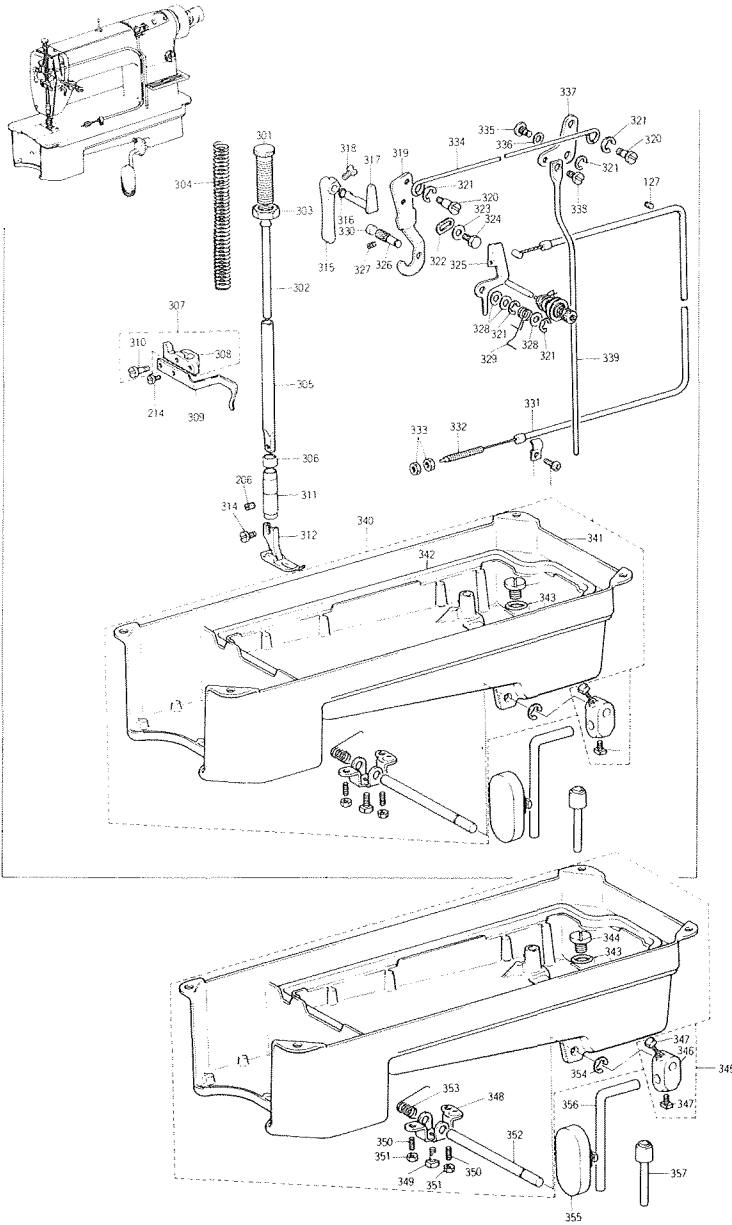
### Top Shaft, Needle Bar, Take-up Lever

REF. NO.	PARTS NO.	PARTS NAME	QTY
AC 201D	2110202-115-D	Plastic plug	1
" 202D	2110202-113-D	Needle bar bushing upper	1
" 203	2111112-111	Needle bar	1
" 205E	2110212-114-E	Needle bar bushing lower	1
" 206	9501501-256	Screw (15/64)	2
" 207B	2110202-122-B	Needle bar slide block	1
" 208A	2110602-116-A	Thread guide	1
" 209A	2110612-116-A	Needle bar thread guide	1
" 210	9540816-279	Screw (1/8)	1
" 211	2110402-194	Needle #14	1
" 213A	2111106-391-A	Retainer plate for oil wick	1
" 214	9540908-279	Screw (9/64)	1
" 215B	2111112-021-B	Thread tape-up lever ass'y	1
" 216	9015600-006	Screw (15/64)	1
" 217B	2210102-215-B	Needle bar crank washer	1
" 218	2111102-225	Oil cut for thread take-up	1
" 219	2121612-130	Take-up lever, crank ass'y	1
" 220	2121612-131	Take-up lever crank	1
" 221	9013400-013	Screw (9/32)	1
" 222	9541604-256	Screw (1/4)	1
" 223	9501604-256	Screw (1/4)	1
" 224A	2110914-112-A	Top shaft front bushing	1
" 216	9015600-006	Screw (15/64)	1
" 225A	2110904-123-A	Oil adjusting valve	1
" 226	9060100-021	Rubber packing	1
" 227	2110904-124	Oil adjusting valve spring	1
" 228A	2110904-125-A	Felt	1
" 229A	9030100-006-A	Washer	1
" 230	2110904-129	Oil adjusting rubber	1
" 231C	2111114-111-C	Top shaft	1
" 232	2110904-127	Washer	1
" 233A	2110604-118-A	Top shaft plug	1
" 234	9015600-004	Screw (5/16)	1
" 235C	2110904-113-C	Top shaft center bushing	1
" 216	9015600-006	Screw (15/64)	1



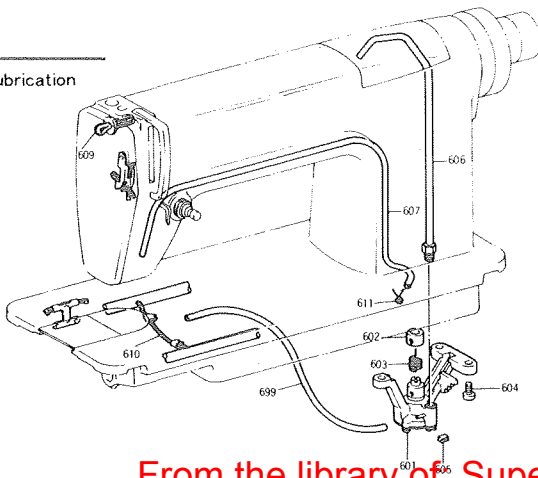
" 236A	2110604-140-A	Top shaft collar ass'y	1
" 237	9501602-276	Screw (1/4)	2
" 238	2110204-012	Gear ass'y	1
" 239	2110204-101	Gear ass'y	1
" 237	9501602-276	Screw (1/4)	7
" 240	9501603-256	Screw (1/4)	1
" 241B	2110904-114-B	Top shaft rear bushing	1
" 216	9015600-006	Screw (15/64)	1
" 242	2110904-154	Felt	1
" 243	2110904-157	Stopper for felt	1
" 244D	2110944-150-D	Hand wheel ass'y	1
" 245C	2110944-151-C	Hand wheel	1
" 246	9531507-276	Screw (15/64)	2

**Presser Bar, Tension Release, Knee Lifter**



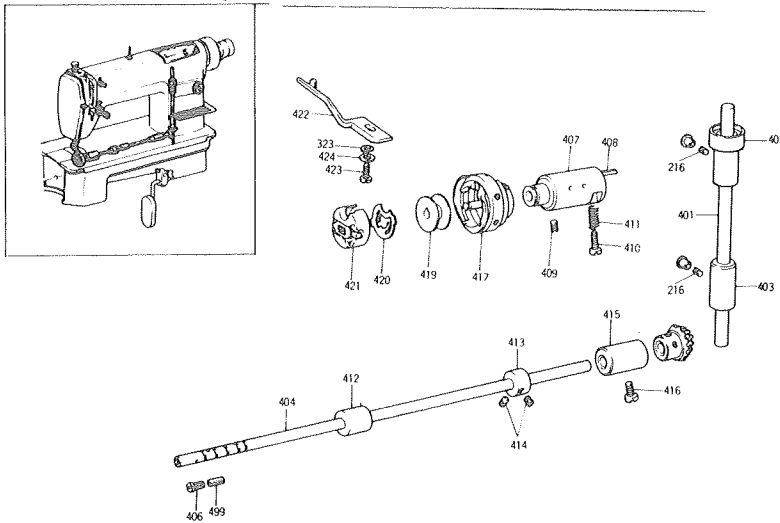
REF. NO.	PARTS NO.	PARTS NAME	QTY
AC 301A	2110203-271-A	Pressure regulating screw	1
" 302B	2110203-272-B	Pressure regulating bar	1
" 303	2111103-274	Nut	1
" 304	2110903-213	Presser spring	1
" 305A	2110203-211-A	Presser bar	1
" 306	2111103-223	Oil cut for presser bar	1
" 307	2111103-230	Presser bar guide bracket ass'y	1
" 308	2111103-231	Presser bar guide bracket	1
" 309	2111102-316	Thread guide front	1
" 310	9541102-259	Screw (11/64)	1
" 214	9540908-279	Screw (9/64)	1
" 311A	2120403-215-A	Presser bar bushing	1
" 206	9501501-256	Screw (15/64)	1
" 312D	2110103-220-D	Presser foot ass'y	1
" 314	9540926-241	Screw (9/64)	1
" 315A	2111103-351-A	Presser bar lifter lever	1
" 316	9060200-010	Oil seal	1
" 317B	2111103-355-B	Presser bar lifter lever crank	1
" 318	9531102-247	Screw (11/64)	1
" 319A	2111103-256-A	Knee lifter plate	1
" 320	9018500-030	Pivot screw (3/16)	1
" 321	9080200-002	Snap ring	1
" 322A	2111103-412-A	Retainer	1
" 323	9120300-418	Washer	1
" 324	9580902-118	Screw (9/64)	1
" 325A	2111103-411-A	Tension release plate	1
" 326A	2111103-251-A	Knee lifter plate shaft	1
" 327	9501101-256	Screw (11/64)	1
" 328	9030100-105	Washer	3
" 321	9080200-002	Snap ring	2
" 329	2111103-414	Tension release spring	1
" 330	2111101-254	Rubber plug	1
" 331	0252032-178	Tension release cable	1
" 332A	0252042-182-A	Cable end	1
" 333	9172500-104	Nut	2
" 127	9501508-276	Screw (15/64)	1
" 334A	2111103-253-A	Knee lifter rod	1
" 335	2111103-255	Knee lifter link shaft	1
" 336	2111103-269	Packing	1
" 320	9018500-030	Pivot screw (3/16)	1
" 337	2111103-252	Knee lifter link	1
" 321	9080200-002	Snap ring	2
" 338	9015500-081	Pivot screw (3/16)	1
" 339	2111103-258	Knee lifter connecting push rod	1
" 340E	2111101-300-E	Oil pan ass'y	1
" 341B	2111101-311-B	Oil pan	1
" 342C	2110601-312-C	Oil pan gasket	1
" 343	9060100-011	Drain packing	1
AC 344	9016400-023	Drain screw (M8 P = 1.25)	1
" 345E	2110203-340-E	Knee lifter bracket ass'y	1
" 346C	2110203-341-C	Knee lifter bracket	1
" 347	9592002-159	Screw (5/16)	2
" 348	2111103-344	Knee lifter controller	1
" 349A	9024000-002-A	Screw (15/64)	1
" 350	9501208-256	Screw (3/16)	2
" 351	9410125-107	Nut	2
" 352	2111103-363	Knee lifter shaft	1
" 353	2111103-364	Knee lifter shaft spring	1
" 354	9080200-016	Snap ring	1
" 355C	2110213-303-C	Knee lifter pad ass'y	1
" 356D	2110203-342-D	Knee lifter arm	1
" 357	2111103-366	Knee lifter plunger	1

**Oil Lubrication**



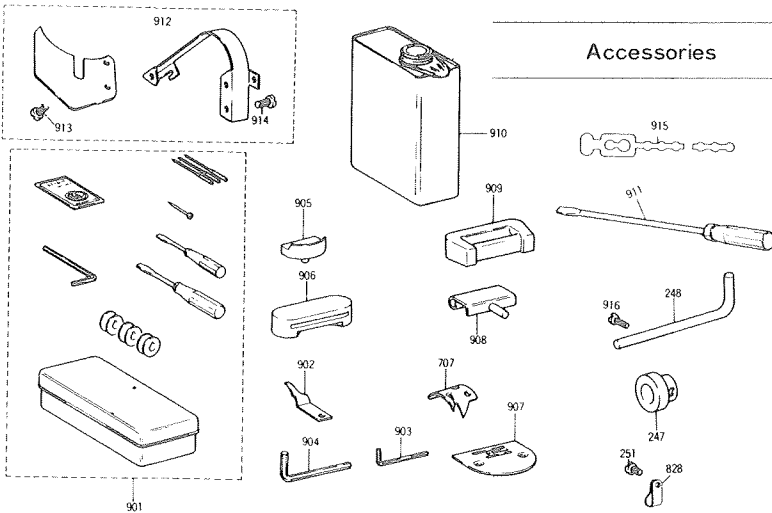
REF. NO.	PARTS NO.	PARTS NAME	QTY
AC 601C	2111106-110-C	Oil pump body ass'y	1
" 602A	2110606-150-A	Oil pump collar ass'y	1
" 603A	2110606-152-A	Connecting spring	1
" 604	9541201-256	Screw (3/16)	3
" 605C	2110206-116-C	Magnet	1
" 606	2111106-140	Upper oil feed pipe ass'y	1
" 607B	2110906-149-B	Oil returning tube	1
" 699	2111116-144	Lower oil feed pipe	1
" 609C	2110906-311-C	Thread take-up crank stud wick	1
" 610	2110216-321	Feed shaft wick	1
" 611B	0251011-154-B	Oil tube clip	1

## Vertical Shaft, Lower Shaft



REF. NO.	PARTS NO.	PARTS NAME	QTY
AC 401	2110904-241	Vertical shaft	1
" 402A	2110204-242-A	Vertical shaft bushing upper	1
" 216	9015600-006	Screw (15/64)	1
" 403A	2110204-243-A	Vertical shaft bushing lower	1
" 216	9015600-006	Screw (15/64)	1
" 404B	2110604-211-B	Lower shaft	1
" 499	2121606-366	Oil felt	1
" 406C	2110204-216-C	Screw (3/16)	1
" 407F	0252012-150-F	Lower shaft bushing front ass'y	1
" 408	2240105-293	Spring pin	1
" 409A	9015600-005-A	Screw (15/64)	1
" 410A	2110616-214-A	Oil adjusting screw	1
" 411	2110606-233	Oil adjusting spring	1
" 412	2111104-213	Lower shaft bushing center	1
" 413A	0252042-382-A	Timing collar	1
" 414	9625606-776	Screw (M6)	2
" 415B	2110214-214-B	Lower shaft bushing rear	1
" 416	9531501-256	Screw (15/64)	1
" 417A	2111004-310-A	Rotary hook ass'y	1
" 419	2110114-321	AL bobbin	1
" 420	2111104-311	Bobbin case bottom spring	1
" 421	2110604-301	Bobbin case ass'y	1
" 422B	2110904-315-B	Hook retainer	1
" 423	9531104-267	Screw (11/64)	1
" 424	9130500-318	Spring washer	1
" 323	9120300-418	Washer	1

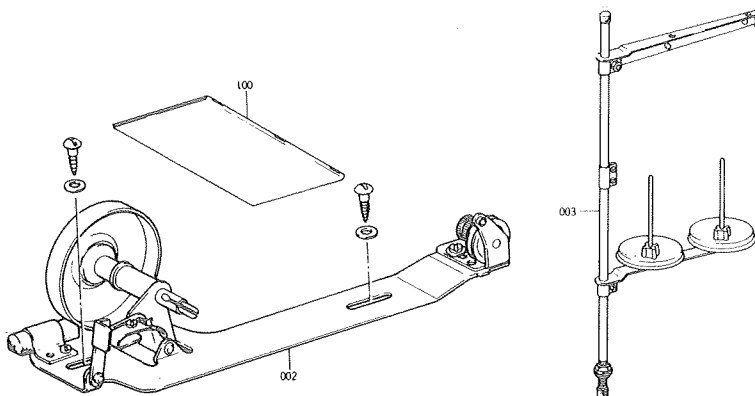
## Accessories



AC 901H	0201731-110-H	Accessory box ass'y	1
" 702	0252052-141	Stationary knife	1
" 707A	0252052-145-A	Moving blade	1
" 903	0201553-142	Wrench (2 mm)	1
" 904	0201553-144	Wrench (3 mm)	1
" 905B	2111101-324-B	Corner rubber A	2
" 906A	2111101-325-A	Corner rubber	2
" 907A	2110313-113-A	Needle plate (3 x 2.2φ)	1
" 908A	0201385-173-A	Hinge	2
" 909B	0201385-174-B	Hinge rubber	2
" 910	0201052-103	Oil	1
" 911C	0201013-111-C	Driver LL	1
" 912	2110911-410	Belt cover ass'y	1
" 913	9541104-107	Screw (11/64)	4
" 914	9541109-107	Screw (11/64)	1
" 828	0252017-125	Nylon clip	1
" 251	9531102-219	Screw (11/64)	1
" 915	0252027-126	Nylon crammer	1
" 248	0252058-112	Sensor grip	1
" 247	0252058-113	Connecting sleeve	1
" 916	9531104-257	Screw (11/64)	1

## Fittings For Heavy Materials

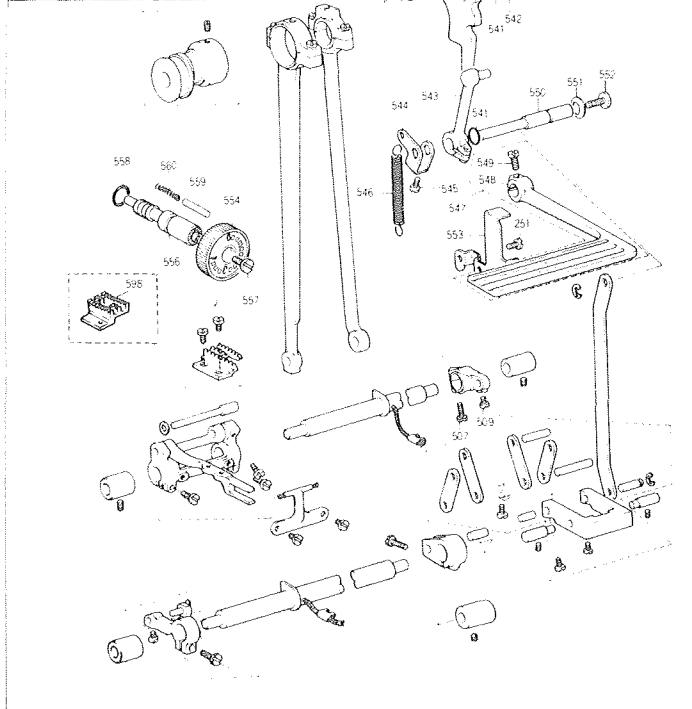
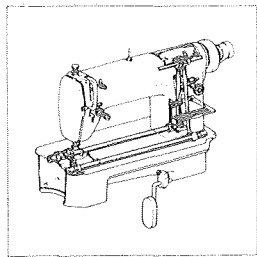
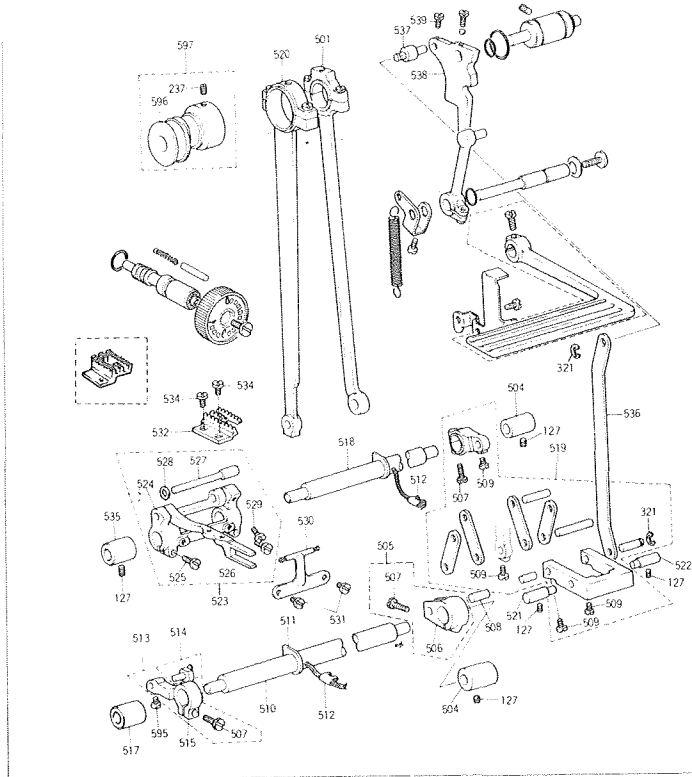
AC 123C	2110803-113-C	Needle plate (3 x 2.5φ)	1
" 129	2110912-350	Thread tension unit	1
" 204	2111102-111	Needle bar	1
" 212	2120302-197	Needle # 21	1
" 313	2110923-220-A	Presser foot ass'y	1
" 418	2110904-310	Rotary hook ass'y	1
" 555B	2110315-350-B	Feed regulator dial ass'y	1
" 533	2110905-223	Feed dog (3 x 2.1 mm)	1



ACA 001	2111229-111	Instruction booklet	1
" 002A	2110932-410-A	Bobbin winder	1
ACJ 003D	0201146-130-D	Thread stand	1



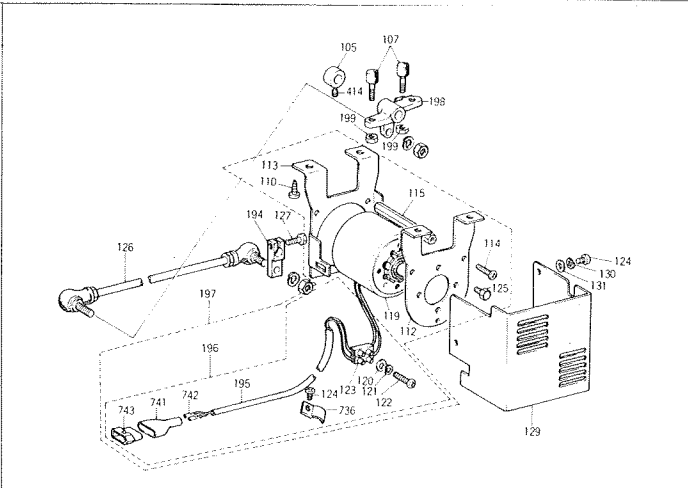
## Feed Rock Shaft, Feed Lifting Shaft



REF. NO.	PARTS NO.	PARTS NAME	QTY
AC 501A	2110305-160-A	Crank rod ass'y	1
" 597	2111115-110	Feed cam ass'y	1
" 596	2111115-111	Feed cam	1
" 237	9501602-276	Screw (1/4)	2
" 504	2110205-232	Feed shaft bushing rear	1
" 127	9501508-276	Screw (15/64)	1
" 505	2111105-205	Feed lifting bell crank ass'y	1
" 506	2111105-255	Feed lifting bell crank	1
" 507	9581201-456	Screw (3/16)	1
" 508A	2110205-282-A	Hinge pin	1
" 509	9531102-256	Screw (11/64)	1
" 510J	2110205-251-J	Feed lifting shaft	1
" 511	2110205-233	Oil rejecter	2
" 512A	2110206-346-A	Oil retainer	2
" 513D	2110305-260-D	Feed lifting bell arm ass'y	1
" 514B	2110205-204-B	Sliding block ass'y	1
" 515C	2110305-261-C	Feed lifting bell arm	1
" 595	9541209-259	Screw (3/16)	1
" 507	9581201-456	Screw (3/16)	1
" 517	2110205-231	Feed shaft bushing front	1
" 127	9501508-276	Screw (15/64)	1
" 504	2110205-232	Feed shaft bushing rear	1
" 127	9501508-276	Screw (15/64)	1
" 518A	2111005-271-A	Feed rock shaft	1
" 519C	2111105-310-C	Feed regulator ass'y	1
" 520A	2111105-140-A	Crank rod ass'y	1
" 509	9531102-256	Screw (11/64)	4
" 507	9581201-456	Screw (3/16)	1
" 521	2111105-317	Feed regulator shaft A	1
" 522	2111105-318	Feed regulator shaft B	1
" 127	9501508-276	Screw (15/64)	2
" 321	9080200-002	Snap ring E	1
" 523D	2111005-210-D	Feed bar bell crank ass'y	1
" 524A	2111005-211-A	Feed bar bell crank ass'y	1
" 525	9541225-247	Screw (3/16)	2
" 526B	2111005-221-B	Feed bar	1
" 527B	2111005-225-B	Feed bar shaft	1
" 528	9030100-142	Washer	1
" 529	9541213-119	Screw (3/16)	1
" 530	2110606-345	Retainer plate for oil wick	1
" 531	9540806-106	Screw (1/8)	2
" 532A	2110405-223-A	Feed dog (3 x 1.6 mm)	1
" 534	9530801-279	Screw (1/8)	2
" 535	2111105-231	Feed shaft bushing front	1
" 127	9501508-276	Screw (15/64)	1
" 536	2111105-344	Connecting rod	1
" 321	9080200-002	Snap ring E	1
" 537	2111105-345	Connecting pin	1
" 538	2111115-327	Feed regulator cam	1
" 539	9541112-256	Screw (11/64)	1

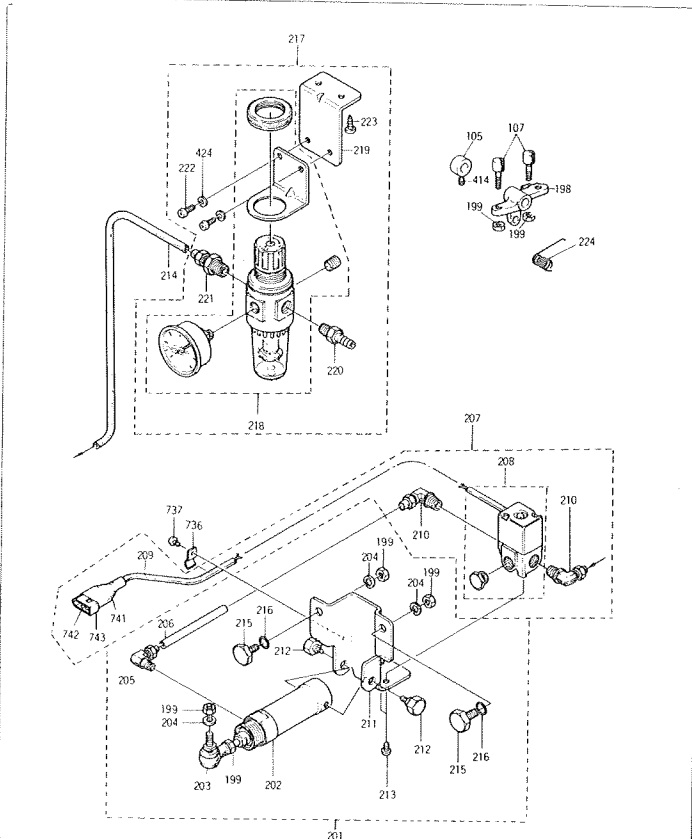
AC 540	2110105-325	Soft plug	1
" 509	9531102-256	Screw (11/64)	1
" 599	0252013-320	Feed regulator stud ass'y	1
" 216	9015600-006	Screw (15/64)	1
" 541	9060100-007	Rubber packing	1
" 542	9060100-019	Rubber packing	1
" 543	0252013-150	Feed regulator lever ass'y	1
" 544	2111105-341	Spring retainer plate	1
" 545	9541210-259	Screw (3/16)	1
" 546	0252023-136	Spring for feed regulator lever	1
" 547D	2110905-304-D	Feed regulator lever ass'y	1
" 548C	2110905-334-C	Feed regulator lever	1
" 549	9541220-107	Screw (3/16)	1
" 550A	2111105-335-A	Feed regulator lever shaft	1
" 541	9060100-007	Rubber packing	1
" 551	9030400-001	Washer	1
" 552	9541208-107	Screw (3/16)	1
" 553B	0252013-134-B	Lever stopper	1
" 251	9531102-219	Screw (11/64)	2
" 554	2111105-350	Feed regulator dial ass'y	1
" 556B	2110905-356-B	Feed regulator dial shaft	1
" 557	9541203-247	Screw (3/16)	1
" 558	9060100-018	Rubber packing	1
" 559C	2110305-353-C	Dial pin	1
" 560A	2110105-354-A	Dial spring	1
" 598	2110225-223	Feed dog (4 x 1.15 mm)	1

## 1. Automatic Presser Foot Lifter (Electro Magnetic Type)



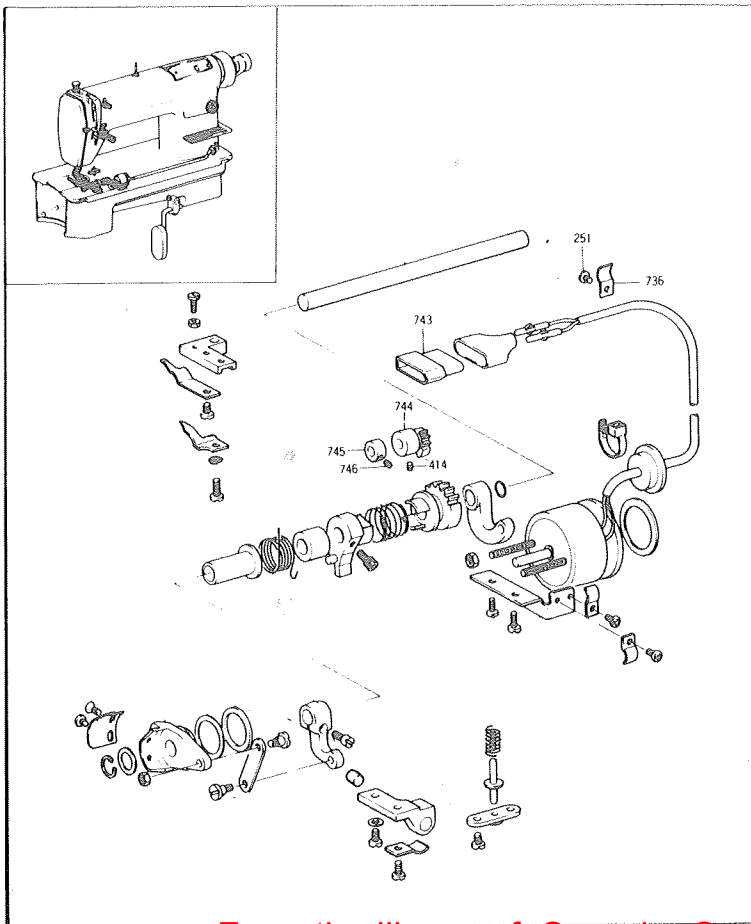
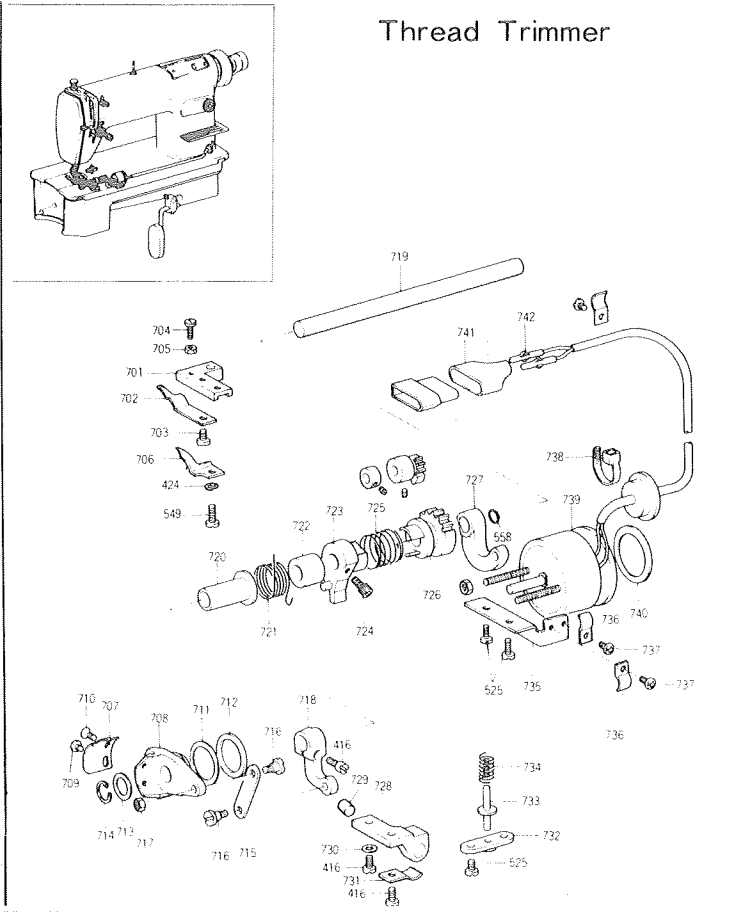
REF. NO.	PARTS NO.	PARTS NAME	QTY
AX 105	0252014-122	Collar	1
AC 414	9625606-776	Screw (M6 P = 1.0)	1
AX 198	0252024-131	Presser bar lifter arm	1
" 107	0252014-137	Knee lifter stopper	2
" 199	9172600-119	Nut	2
" 110	9322932-319	Wood screw	4
" 197	0252024-140	Presser lifting solenoid ass'y	1
" 112A	0252014-141-A	Solenoid installing bracket (A)	1
" 113A	0252014-151-A	Solenoid installing bracket (B)	1
" 114	9820512-467	Screw (M5 P = 0.8)	6
" 115A	0252024-136-A	Spacer	3
" 196	0252047-110	Wire ass'y	1
" 195	0252097-111	Cabtyre cable	1
AC 743	0252037-144	Plug 4P	1
" 741A	0252017-145-A	Plug cap 4P	1
" 742	0252027-148	Plug pin	2
AX 119	0252037-133	Presser lifting solenoid	1
" 120	9110200-107	Washer	1
" 121	9130200-108	Spring washer	1
" 122	9820314-467	Screw (M3 P = 0.5)	1
" 123	0252017-121	Terminal base	1
AC 736	0252037-125	Cable retainer	1
AX 124	9225508-418	Screw (M4 P = 0.7)	1
" 125	9711608-119	Screw (1/4)	4
" 126D	0252014-104-D	Rod ass'y	1
" 127	9711620-119	Screw (M6 P = 1.0)	1
" 194	0252024-132	Drive arm	1
" 129	0252014-142	Solenoid cover	1
" 130	9140300-318	Spring washer	3
" 131	9110300-419	Washer	3
" 124	9225508-418	Screw (M4 P = 0.7)	3

## 2. Automatic Presser Foot Lifter (Pneumatic Air Type)



AX 201A	0252016-130-A	Air cylinder ass'y	1
" 202	0252016-131	Air cylinder	1
" 203	0211021-168	Ball joint	1
" 204	9130600-108	Spring washer	1
" 199	9172600-119	Nut	2
" 205	0252026-144	Elbow (1/8)	1
" 206	0252016-151	Air tube	1
" 207	0252016-160	Solenoid valve ass'y	1
" 208	0252016-161	Solenoid valve	1
" 209	0252017-167	Tube	1
AC 742	0252027-148	Plug pin	2
" 741A	0252017-145-A	Plug cap (4P)	1
" 743	0252037-144	Plug (4P)	1
AX 210	0254016-146	Elbow (1/4)	2
" 211A	0252014-111-A	Bracket	1
" 212	9018500-032	Pivot screw	2
" 213	9820508-467	Screw (M5 P = 0.8)	2
AC 736	0252037-125	Cable retainer	1
" 737	9820406-467	Screw (M4 P = 0.7)	1
AX 214A	0252026-151-A	Air tube	1
" 215	9025900-032	Screw	2
" 216	9060100-001	Rubber packing	2
" 204	9130600-108	Spring washer	2
" 199	9172600-119	Nut	2
" 217	0252016-102	Filter regulator ass'y	1
" 218	0252016-117	Filter regulator	1
" 219	0252016-118	Regulator Bracket	1
" 220	0252026-145	Horse nipple (1/4)	1
" 221	0252016-153	Connector (1/4)	1
AC 424	9130500-318	Spring washer	2
AX 222	9820508-467	Screw (M5 P = 0.8)	2
" 223	9312820-119	Wood screw	2
AX 105	0252014-122	Collar	1
AC 414	9625606-776	Screw (M6 P = 1.0)	1
AX 198	0252024-131	Presser bar lifter arm	1
" 107	0252014-137	Knee lifter stopper	2
" 199	9172600-119	Nut	2
" 224	0252014-125	Knee lifter shaft spring	1

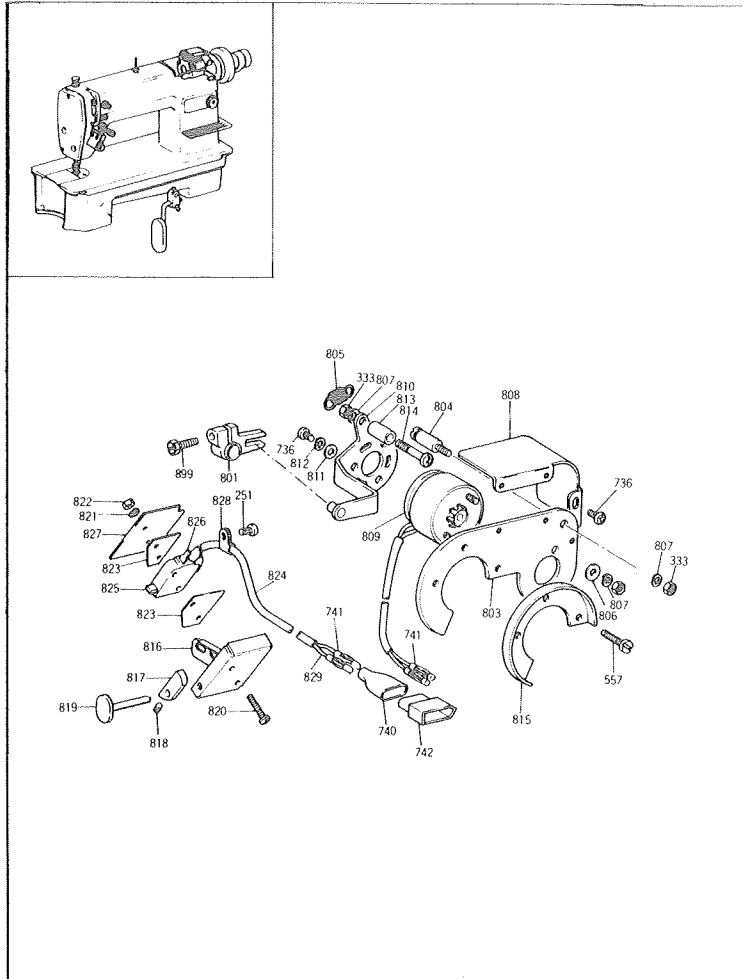
### Thread Trimmer



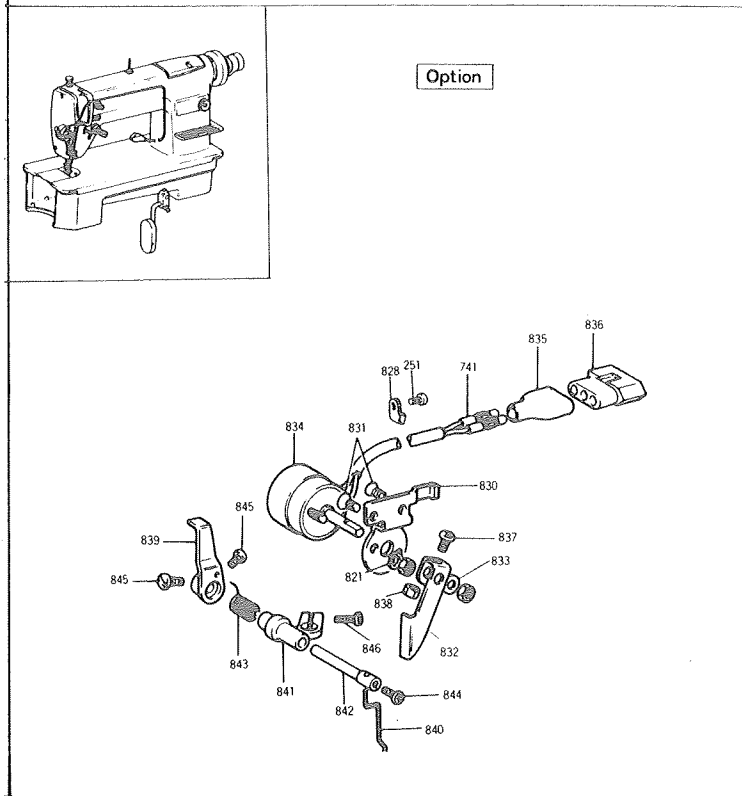
REF. NO.	PARTS NO.	PARTS NAME	QTY
AC 701A	0252052-142-A	Knife holder	1
" 702	0252052-141	Stationary knife	1
" 703	9550902-119	Screw (9/64)	1
" 704	9540802-102	Screw (1/8)	1
" 705	9440081-106	Nut	1
" 706B	0252042-164-B	Thread restraining plate	1
" 424	9130500-318	Spring washer	1
" 549	9541220-107	Screw (3/16)	1
" 707A	0252052-145-A	Moving blade	1
" 708B	0252042-146-B	Arm for moving blade	1
" 709	9530910-119	Screw (9/64)	1
" 710	9560902-241	Screw (9/64)	1
" 711	9030100-175	Washer	1
" 712	0252042-155	Washer rear	1
" 713	0252012-171	Washer front	1
" 714	0252012-156	Snap ring C	1
" 715	0252052-116	Connecting link	1
" 716	9015500-084	Pivot screw (3/16)	1
" 717	9440112-119	Nut	1
" 716	9015500-084	Pivot screw (3/16)	1
" 718	0252052-341	Thread trimmer lever	1
" 416	9531501-256	Screw (15/64)	1
" 719	0252012-343	Thread trimmer shaft	1
" 720A	0252012-344-A	Thread trimmer shaft bushing	1
" 721	0252052-128	Thread trimmer spring	1
" 722	0252052-381	Spacer	1
" 723C	0252052-321-C	Stopper arm	1
" 724	0252032-143	Screw (M6 P = 1.0)	1
" 725B	025042-323-B	Clutch spring	1
" 726	0252052-362	Thread trimmer gear B	1
" 727A	0252052-322-A	Operating arm	1
" 558	9060100-018	Rubber packing	1
" 728	0252052-351	Stopper	1
" 729	0252052-332	Cushion rubber	1
" 730	9030100-072	Washer	1
" 731	0252047-125	Oil retainer	1
" 416	9531501-256	Screw (15/64)	2
" 732	0252042-125	Bushing	1
" 733	0252022-124	Pin	1
" 734	0252042-119	Spring	1
" 525	9541225-247	Screw (3/16)	2
" 735	0252052-181	Cable holder	1
" 525	9541225-247	Screw (3/16)	4
" 736	0252037-125	Cable retainer	2
" 737	9820406-467	Screw (M4 P = 0.7)	2
" 738	0252017-126	Tie band	1
" 739A	0252047-131-A	Trimmer solenoid	1
" 740	0252017-134	Cushion rubber	1
" 741A	0252017-145-A	Plug cap (4P)	1
" 742	0252017-148	Plug pin	2

REF. NO.	PARTS NO.	PARTS NAME	QTY
AC 743	0252017-144	Plug (4P)	1
" 744A	0252042-361-A	Thread trimmer gear A	1
" 414	9625606-776	Screw (M6 P = 1.0)	2
" 745	2210204-245	Collar	1
" 746	9501102-256	Screw (11/64)	2
" 736	0252037-125	Cable retainer	1
" 251	9531102-219	Screw (11/64)	1

## Automatic Reverse Feed, Wiper



REF. NO.	PARTS NO.	PARTS NAME	QTY
<b>Automatic Reverse Feed</b>			
AC 801	0252013-135	Feed regulator fork	1
" 899	9531503-259	Screw (15/64)	1
" 803B	0252013-131-B	Solenoid base	1
" 804	0252023-132	Spring retainer	1
" 805A	0252013-133-A	Reverse spring	1
" 806	9120500-419	Washer	2
" 807	9130500-308	Spring washer	3
" 333	9172500-104	Nut	1
" 808	0252035-233	Solenoid cover	1
" 736	9820406-467	Screw (M4 P = 0.7)	3
" 809	0252027-133	Back tacking solenoid	1
" 810A	0252013-105-A	Drive arm ass'y	1
" 811	9030100-009	Washer	3
" 812	9130300-108	Spring washer	3
" 736	9820408-467	Screw (M4 P = 0.7)	3
" 813	0252013-132	Spacer	1
" 814	9820525-467	Screw (M5 P = 0.8)	1
" 807	9130500-308	Spring washer	1
" 333	9172500-104	Nut	1
" 815	0252013-137	Cover	1
" 557	9541203-247	Screw (3/16)	3
" 816	0252035-225	Microswitch case	1
" 817	0252015-131	Stopper	1
" 818	9625404-776	Screw (M4 P = 0.7)	1
" 819A	0252015-101-A	Finger bar for back tack ass'y	1
" 820	9240316-119	Screw (M3 P = 0.5)	2
" 821	9130200-108	Spring washer	2
" 822	9172200-119	Nut	2
" 823B	0252017-113-B	Insulator	2
" 824	0252027-115	Tube	1
" 825	0252047-123	Microswitch	1
" 826A	0252017-147-A	Cap	2
" 827	0252027-152	Cover plate	1
" 828	0252017-125	Nylon clip	3
" 251	9531102-219	Screw (11/64)	5
" 829	0252047-111	Wire	1
" 741	0252017-148	Plug pin	4
" 740A	0252017-145-A	Plug cap (4P)	1
" 742	0252027-144	Plug (4P)	1



REF. NO.	PARTS NO.	PARTS NAME	QTY
<b>Option</b>			
<b>Wiper</b>			
AC 830	0252024-211	Solenoid installing base	1
" 831	9561106-267	Screw (11/64)	2
" 832A	0252014-212-A	Solenoid arm	1
" 833	0252014-227	Spacer	1
" 821	9130200-108	Spring washer	1
" 834A	0252017-133-A	Wiper solenoid	1
" 741	0252017-148	Plug pin	2
" 835	0252017-143	Plug cap (3P)	1
" 836	0252017-142	Connecting plug (3P)	1
" 837	9820408-467	Screw (M4 P = 0.7)	1
" 838	9173300-104	Nut	1
" 839	0252014-220	Wiper arm ass'y	1
" 840A	0252014-221-A	Wiper	1
" 841	0252014-222	Wiper bushing	1
" 842A	0252014-223-A	Wiper shaft	1
" 843	0252014-224	Wiper spring	1
" 844	9820306-467	Screw (M3 P = 0.5)	1
" 845	9540908-207	Screw (9/64)	2
" 846	9820412-467	Screw (M4 P = 0.7)	1
" 828	0252017-125	Nylon clip	3
" 251	9531102-219	Screw (11/64)	3